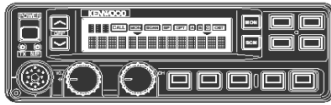
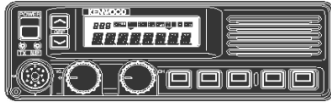


**TK-690 / 790 / 890**  
VHF/UHF FM Mobile Radios



**All 90 BKseries mobiles include:**

- RF Deck Only  
(Configuration Set & Assembly Labor Code must be order for a Complete Mobile.)
- Standard Warranty: 2 Years\*

\* All Accessories / options: 1 Year

**TK-790K/890K mobiles include:**

- KCH-10
- KCT-23M
- KMB-5
- KMC-27  
(No need to use the assembly labor code)

**Important Information**  
(TK-890; UHF)

\* The lowest receive channel spread range is the factory default tuning if not otherwise specified. Refer to the table (right); order L-850 (no charge) and specify receive spread at the time of ordering. Out of range orders cannot be accepted.

\* TX Power is derated at 470-480 MHz for TK-890HBK:  
- 450-469 MHz (100 W)  
- 470-480 MHz (75 W)

**GENERAL FEATURES**

- 45W & 110W (136-156, 148-174 MHz)
- 40W (403-430, 450-490, 480-512 MHz)
- 110W-75W (450-480 MHz)
- 110W (29.7-37.0, 35.0-43.0, 39.0-50.0 MHz)
- 160 Channels
- Dual Priority Scan
- Single / Multi Group Scan
- QT / DQT
- Operator Selectable Tone
- Two-Tone Decode1
- DTMF Encode/ Decode / Stun
- Encryption / ANI Board Control
- Emergency Call Features
- Companded Audio
- Intercom
- Public Address
- Time Out Timer
- Busy Channel Lockout
- Ignition Sense
- Timed Power Off
- DB-25 Accessory Connector
- 7 Programmable AUX Inputs
- 6 Programmable AUX Outputs
- Windows® Programming & Tuning
- Windows® Firmware Uploading
- Panel Tuning
- Cloning

- MIL-STD-810 C/D/E/F
- MIL-Spec Noise-Cancel Mic (included)
- MIL-Spec 12-Key DTMF Mic Option

**FleetSync®**

- PTT ID Digital ANI
- Emergency Status

**MOUNTING CONFIGURATIONS**

- Dash Mount
- Single Head Remote Mount
- Dual Head Remote Mount
- Dual Band Remote Mount
- Dual Head / Dual Band Remote Mount

**FRONT PANELS / CONTROL HEADS**

- Backlit Dot Matrix LCD
- 3-Digit Sub-Display
- Function/Status LCD Icons
- Transmit LED
- Busy, Call Alert, Warn LED
- LCD Dimmer Control
- Power On/Off Switch
- Rotary Volume Knob
- Rotary Selector Knob
- Backlit Keys
- PF Key Label Inserts
- Microphone Jack
- MILSTD 810 512.X Driven Rain

**KCH-10 FRONT PANEL**

- 8-Character Alphanumeric Aliases
- 5 PF Keys
- UP/DOWN Keys
- Built-in Front Speaker

**KCH-11 FRONT PANEL**

- 14-Character Alphanumeric Aliases
- 13 PF Keys
- UP/DOWN Keys
- External Speaker Required

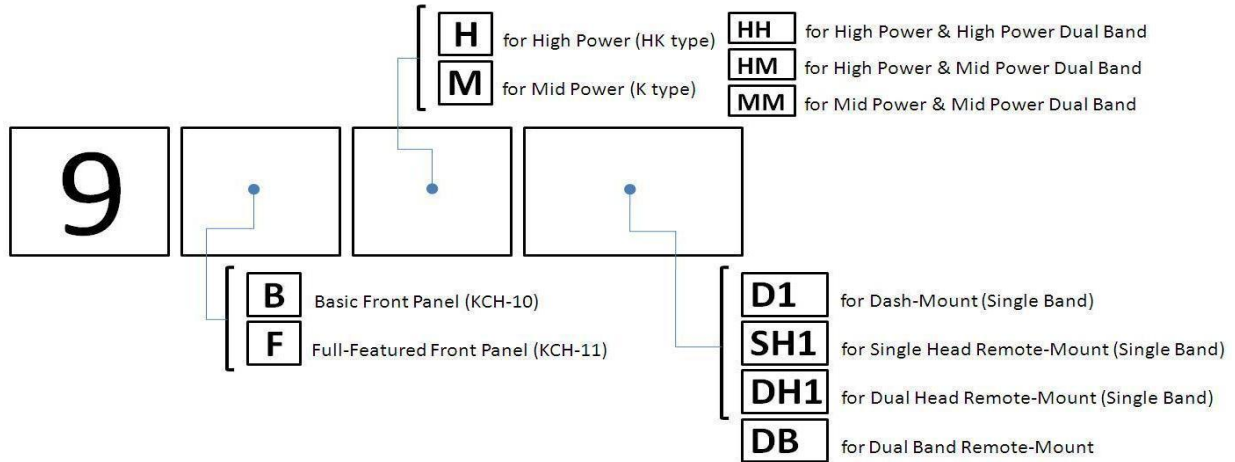
Model	RF Deck Freq. Range	RX Ch. Spread	TX Ch. Spread
TK-890BK/K	450-490	20 Mhz	40 Mhz
	Factory Default:	450-470	450-490
	Order L-850:	460-480	450-490
TK-890BK2	480-512	20 Mhz	32 Mhz
	Factory Default:	480-500	480-512
	Order L-850:	492-512	480-512
TK-890BK3	403-430	20 Mhz	27 Mhz
	Factory Default:	410-430	403-430
	Order L-850:	403-423	403-430
TK-890HBK	450-480	20 Mhz	30 Mhz
	Factory Default:	450-470	450-480
	Order L-850:	460-480	450-480

MODEL		LIST
TK-690HBK	29.7-37.0 MHz, 110W, 160 Channels (R.F. DECK ONLY)	1,071.00
TK-690HBK2	35.0-43.0 MHz, 110W, 160 Channels (R.F. DECK ONLY)	1,071.00
TK-690HBK3	39.0-50.0 MHz, 110W, 160 Channels (R.F. DECK ONLY)	1,071.00
TK-790BK	148-174 MHz, 45W, 160 Channels (R.F. DECK ONLY)	767.00
TK-790BK2	136-156 MHz, 45W, 160 Channels (R.F. DECK ONLY)	767.00
TK-790HBK	148-174 MHz, 110W, 160 Channels (R.F. DECK ONLY)	1,239.00
TK-790K	148-174 MHz, Basic Front("BMD"), 45W, 160 Channels	1,063.00
TK-890BK	450-490 MHz, 40W, 160 Channels (R.F. DECK ONLY)	819.00
TK-890BK2	480-512 MHz, 40W, 160 Channels (R.F. DECK ONLY)	819.00
TK-890BK3	403-430 MHz, 40W, 160 Channels (R.F. DECK ONLY)	819.00
TK-890HBK	450-480 MHz, 100/75W, 160 Channels (R.F. DECK ONLY)	1,292.00
TK-890K	450-490 MHz, Basic Front("BMD"), 40W, 160 Channels	1,116.00

**ACCESSORY CONFIGURATION SETS**

**LIST**

**CONFIGURATION SET DEFINITIONS**



**Note:** All KCH-10 / Basic Control Head configurations are shipped with the control heads 4W internal speaker enabled. Order L-891 to enable the 13W external speaker output for KES-5 speaker use. This will disconnect the control heads internal 4W speaker !

**Note:** Order an Labor code for each model if factory packaging is required:  
**L-846** Package Dash/Single Head Remote\*  
**L-847** Package Dual Head Remote  
**L-848** Package Dual Band Remote  
**L-849** Package Dual Band Dual Head Remote  
 (\* TK-790K/890K are pre-packaged & fully assembled: basic front, medium power, dash mount mobiles.  
 No need to use the assembly labor code L-846.)

**Single Band Dash Mount**

**LIST**

9BHD1	KCH-10, KCT-23M2, KMB-9, KMC-27	326.50
9BMD1	KCH-10, KCT-23M, KMB-5, KMC-27	296.50
9FHD1	KCH-11, KCT-23M2, KMB-9, KMC-27, KES-5	471.75
9FMD1	KCH-11, KCT-23M, KMB-5, KMC-27, KES-5	441.75

**Single Band Single Head Remote Mount**

**LIST**

9BSH1	KCH-10, KRK-5, KCT-22M2, KCT-23M4, KMB-9, KMC-27	564.00
9BMSH1	KCH-10, KRK-5, KCT-22M2, KCT-23M3, KMB-5, KMC-27	530.75
9FHS1	KCH-11, KRK-5, KCT-22M2, KCT-23M4, KMB-9, KMC-27, KES-5	709.25
9FMSH1	KCH-11, KRK-5, KCT-22M2, KCT-23M3, KMB-5, KMC-27, KES-5	676.00

**Single Band Dual Head Remote Mount**

**LIST**

9BHDH1	KCH-10(x2), KRK-6DH, KCT-22M2(x2), KCT-23M4, KMB-9, KMC-27(x2)	1,004.00
9BMDH1	KCH-10(x2), KRK-6DH, KCT-22M2(x2), KCT-23M3, KMB-5, KMC-27(x2)	970.75
9FHHDH1	KCH-11(x2), KRK-6DH, KCT-22M2(x2), KCT-23M4, KMB-9, KMC-27(x2), KES-5(x2)	1,294.50
9FMDH1	KCH-11(x2), KRK-6DH, KCT-22M2(x2), KCT-23M3, KMB-5, KMC-27(x2), KES-5(x2)	1,261.25

**Dual Band Single Head Remote Mount**

**LIST**

9BHHDB	KCH-10, KRK-7DB, KMC-27, KCT-22M2, KCT-23M4(x2), KMB-9(x2)	761.50
9BHMDDB	KCH-10, KRK-7DB, KMC-27, KCT-22M2, KCT-23M3, KCT-23M4, KMB-5, KMB-9	728.25
9BMMDB	KCH-10, KRK-7DB, KMC-27, KCT-22M2, KCT-23M3(x2), KMB-5(x2)	695.00
9FHHDDB	KCH-11, KRK-7DB, KMC-27, KES-5, KCT-22M2, KCT-23M4(x2), KMB-9(x2)	906.75
9FHMDDB	KCH-11, KRK-7DB, KMC-27, KES-5, KCT-22M2, KCT-23M3/KCT-23M4, KMB-5/KMB-9	873.50
9FMMDB	KCH-11 KRK-7DB, KMC-27, KES-5, KCT-22M2, KCT-23M3(x2), KMB-5(x2)	840.25

***Dual Band Dual Head Remote Mount***

***LIST***

9BBHH	KCH-10(x2), KMC-27(x2), KRK-8DBH, KCT-22M2(x2), KCT-23M4(x2), KMB-9(x2)	1,117.50
9BBHM	KCH-10(x2), KMC-27(x2), KRK-8DBH, KCT-22M2(x2), KCT-23M3, KCT-23M4, KMB-5, KMB-9	1,084.25
9BBMM	KCH-10(x2), KMC-27(x2), KRK-8DBH, KCT-22M2(x2), KCT-23M3(x2), KMB-5(x2)	1,051.00
9FFHH	KCH-11(x2), KMC-27(x2), KRK-8DBH, KCT-22M2(x2), KCT-23M4(x2), KMB-9(x2), KES-5(x2)	1,408.00
9FFHM	KCH-11(x2), KMC-27(x2), KRK-8DBH, KCT-22M2(x2), KCT-23M3, KCT-23M4, KMB-5, KMB-9, KES-5(x2)	1,374.75
9FFMM	KCH-11(x2), KMC-27(x2), KRK-8DBH, KCT-22M2(x2), KCT-23M3(x2), KMB-5(x2), KES-5(x2)	1,341.50

***FRONT PANELS & REMOTE KITS*** (Order Configuration Sets for full install accessories)

***LIST***

KCH-10	Basic Control Panel	147.00
KCH-11	Full Featured Control Panel	231.00
KRK-5	Single Control Head Remote Mount Kit	147.00
KRK-6DH	Dual Control Head Remote Mount Kit	252.00
KRK-7DB	Dual Band Control Head Remote Mount Kit	262.50
KRK-8DBH	Dual Band Dual Head Remote Mount Kit	283.50

***CABLES***

***LIST***

KCT-18	Ignition sense cable	13.70
KCT-22M	Control cable - 8 Feet	73.50
KCT-22M2	Control cable - 17 Feet (Standard accessory config. set cable)	84.00
KCT-22M3	Control cable (25 Feet)	94.50
KCT-23M	DC Cable (35/45W Dash mount)	31.50
KCT-23M2	DC Cable (75/110W Dash mount)	38.75
KCT-23M3	DC Cable (35/45W Remote mount)	34.75
KCT-23M4	DC Cable (75/110W Remote mount)	45.25

***MOBILE INSTALLATION ACCESSORIES***

***LIST***

KCK-6	Auxiliary Adapter for 90-Series Mobiles (For AUX A, B, & C) <b>Features:</b> 90-Series AUX A, B, & C Inputs, 3 AUX 1 Amp Relay Outputs, D-Sub 25 90-Series Accessory Connector Parallel Feed Through Supplied Items: Instruction Sheet (1pc.), KCK-6 (1pc.), Insulated Spade Lugs [0.250 female fully insulated, 16-14 wire range] (8pcs.) ***Hardware that may be required but NOT supplied - two 3/16" mounting screws, male-to-female DB-25 straight through serial cable, & wire peripheral.** <b>Caution:</b> KCK-6 Relays are rated at 1A maximum. Do Not Exceed. The KCK-6 is not intended to directly drive siren and light packages. The siren/light package manufacturers recommended high amperage relay units and directions should be followed.	138.25
KLF-2	Line Filter (suppresses alternator whine, 25dB, 25A max)	42.00
KMB-10	Key Lock Adapter for use with KMB-4/5/6	26.30
KMB-5	Medium Power Mounting Bracket (35W/45W models)	14.00
KMB-9	High Power Mounting Bracket with built-in key lock (75W/110W models)	36.75

***MICROPHONES AND SPEAKERS***

***LIST***

KES-5	External Speaker (40W max input)	61.25
KMC-27	Rugged standard microphone with noise canceling, MIL-STD and driven rain features	104.00
KMC-28	DTMF microphone (MIL-SPEC, Noise canceling)	163.00
KMC-9B	Desk top microphone	96.50

<b>SERVICE RELATED ACCESSORIES</b>		<b>LIST</b>
KPG-43AM	Programming interface cable	114.50
KCT-53UM	USB Adapter for KPG-xxAM DB9F Programming Interface Cables (DB9M - to - USB Type A connector)	86.00
KPG-44DK	Windows® Programming Software for TK-690/790/890	68.50
*****	<b>Call Kenwood Parts at 800-367-7514 to order the following:</b>	
K29-5276-03	Key Inserts for 90-series mobile (AN, D/A, DIM, HA, HC, IC, MON, OPT, OST, PA)	14.00
K29-5277-03	Key Inserts for 90-series mobile (RCL, RPT, SCN, SP, SPM, SQ, TA, <up arrow>, <down arrow>)	14.00
K29-5305-03	Key Inserts for 90-series mobile (CH1, CH2, CH3, CH4, CH5, AUXA, AUXB, AUXC, EMG, ORG)	14.00
S76-0434-05	1 Amp Relay for 90-series mobile	11.22

<b>OPTION MODULES</b>		<b>LIST</b>
CIM-1000	GE-Star or MDC-1200 ANI Encode Board Must order <b>L-1036</b> or <b>L-1037</b> for radio install & programming <b>Note:</b> CIM-1000 G-Star®/ MDC1200 Digital ANI Boards Pre-programmed & installed boards require a completed CIM-1000 Information and Order Sheet" (available from Kenwood LMR Order Desk) submitted with order. <b>a)</b> Order the appropriate Labor Code for MDC-1200 or G-Star. <b>b)</b> CIM-1000 boards can be ordered and shipped loose (if shipped loose, Kenwood will not program the board).	131.25
CIM-CABLE	Serial Program Cable <b>Note:</b> CIM-1000, K-20, K-26 programs via Windows Hyper terminal (Windows Ver 3.1 or later) or any ProComm version; board must be installed in a powered radio for programming. The radio programmer does NOT program the CIM-1000, K-20, K-26. CIM-CABLE is a DB-9 PC connector with 3 short lead with clips and may require a PC serial extension cable. CIM-IRP (Part No 01-30-0510) Infrared wireless standalone programmer, C-Plus line of desktop decoder displays and CIM-1000, K-20, K-26 Instruction Manuals are available directly from Cimarron Technologies 800-487-7184 at www.cimtechcorp.com	61.25

<b>INSTALLATION / TUNING CHARGES</b>		<b>LIST</b>
L-846	Package Dash/Single Head Remote for 90-series mobiles	17.00
L-847	Package Dual Head Remote for 90-series mobiles	34.00
L-848	Package Dual Band Remote for 90-series mobiles	34.00
L-849	Package Dual Band Dual Head Remote for 90-series mobiles	50.00
L-850	Tune TK-890 receiver channel spread (20 MHz max.); specify receive spread	N/C
L-854	90 Mobile Programming (with basic TX/RX check)	30.00
L-858	Modify 90-series mobile Single Band (Single Head) Mobile for Pyramid Vehicular Repeater	75.00
L-859	Modify 90-series mobile Single Band (Dual Head) Mobile for Pyramid Vehicular Repeater	75.00
L-861	Install Horn Alert output relay for 90-series mobiles (1 amp max.) --- Part #S76-0407-05 Relay incl.	70.00
L-862	Install Key Inserts for 90-series mobiles <b>Note:</b> For new radio tune orders only. Installs only the included KCH-10/11 key inserts. Must specify keys and placement (see Service Manuals for placement diagram, pg. 14). Also, see Service Manuals for technical details (pg. 14). Other Key Inserts are available from Parts Dept. See the "Service Related Accessories" section of the 90-series mobiles pricepages for more information.	15.00
L-864	KCT-22A Extended Control Head Cable (up to 50 ft. max.) <b>Note:</b> Please specify exact length at 1ft. increments when ordering. <b>Caution:</b> Extended control head cables exhibit a loss in speaker audio power to the control heads. For either type control head (KCH-10/11), it is recommended that the 13W audio output modification be implemented to drive extended cable runs and a KES-5 external speaker be used. Refer to the service manual pg. 15-17 for 13W modifications. Installing new radio firmware (hex files) via the KPG-44D software nor checking the firmware "checksum" is not possible through an extended control head cable. A standard KCT-22 cable of 25 ft. or less should be used when this has to be done. Normal KPG-44D radio parameter programming is possible at extended lengths.	190.00

**INSTALLATION / TUNING CHARGES - CONT'D**

**LIST**

L-865	KCT-22A Extended Control Head Cable (up to 100 ft. max.) <b>Note:</b> Please specify exact length at 1ft. increments when ordering. <b>Caution:</b> Extended control head cables exhibit a loss in speaker audio power to the control heads. For either type control head (KCH-10/11), it is recommended that the 13W audio output modification be implemented to drive extended cable runs and a KES-5 external speaker be used. Refer to the service manual pg. 15-17 for 13W modifications. Installing new radio firmware (hex files) via the KPG-44D software nor checking the firmware "checksum" is not possible through an extended control head cable. A standard KCT-22 cable of 25 ft. or less should be used when this has to be done. Normal KPG-44D radio parameter programming is possible at extended lengths.	245.00
L-866	KCT-23A-K2 Two Conductor 75/110W High Power DC Cable (2 Conductor: 1x23 ft. positive, 1x23 ft. negative; AWG #10) <b>Note:</b> This cable substitutes for the ff: DC Cables: --> KCT-23M2 75/110W Dash Mount DC Cable: 4 Conductor: 2x10 ft. positive, 2x10 ft. negative --> KCT-23M4 75/110W Remote Mount DC Cable: 4 Conductor: 2x23 ft. positive, 2x23 ft. negative	75.00
L-867	Jumper foil for SB to pin 14 of accessory connector for 90-series mobile (Ref. 90-Series Mobile Service Manual, page 17/18)	25.00
L-870	Simultaneous transpond and alert feature up-grade for 90-series mobiles & portables	50.00
L-883	Modify 90-series mobile for KCT-18	25.00
L-891	External speaker modification for 90-series mobile Control Head (13W)	10.00
L-903	R640 mic input modification for 90-series mobile	17.00
L-910	Install firmware 094F (90-series mobile * and # DTMF without PTT) <b>Note:</b> The firmware 094F gives the 90-series mobile the ability to generate a DTMF tone from the * and # keys without pushing the PTT button.	17.00
L-912	90-Series mobile low imp. mic. Input at RF deck	10.00
L-917	EXT PTT / Local KMC-27 mic disable <b>Purpose:</b> Disables the KMC-27 mobile hand mic element when 90-series mobile external PTT is active. For use with data modems, GPS AVL data units, headset systems (motorcycles, ambulance, fire engines), vehicle intercom	17.00
L-921	Modify 90-series mobile Dual Band (Single Head) for Pyramid Vehicular Repeater	75.00
L-922	Modify 90-series mobile Dual Band (Dual Head) for Pyramid Vehicular Repeater	75.00
L-1036	TK-690/790/890 CIM-1000/MDC1200 ENCODER INSTALLATION	75.00
L-1037	TK-690/790/890 CIM-1000/GE STAR ENCODER INSTALLATION	75.00